

Beam Clamp



Contents

Introduction	3
Exclusion of Liability	3
Safety Instructions	3
Operation	4
Maintenance	5
Inspection	6
Declaration of Conformity	7
Contact Details	8

This User's Manual must be read by every user prior to commissioning.

The manual contains important advice for safe, appropriate and economic usage. Its attention will help prevent dangers and reduce downtimes as well as improve lifetime and reliability of the lifting equipment. This manual must always be available at the job site. Besides the manual and the rules valid in the country of use and the job site, also the regulations for safety related and professional usage have to be taken care of.

This product is designed specifically for professional usage e.g. stage, theatre and events.

Exclusion of Liability

Using this product for any other purpose other than described in this Manual, is considered contrary to it's designated use and the manufacturer cannot be held liable for any damage resulting from such use.

Safety Instructions

SAFETEX Beam Clamps should only be used by qualified/competent personnel.

Before each use the device must be examined for wear or damage.

When using the SAFETEX Beam Clamp you must wear appropriate personal protective equipment suitable for the environment you are working in.

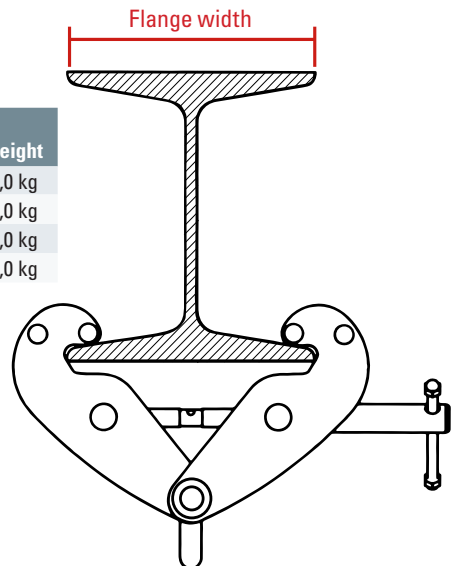
Never exceed the maximum load (MAX) or Safe Working Load (SWL) as indicated on the device and in this manual.

When used in conjunction with any other accessoires, care must be taken to ensure the MAX/SWL of any component is not exceeded.

SAFETEX Beam Clamp

Product No.	Lifting capacity	Flange width	Max. Opening	Weight
STK-010-B	1.000 kg	75 - 220 mm	284 mm	4,0 kg
STK-020-B	2.000 kg	75 - 220 mm	284 mm	5,0 kg
STK-030-B	3.000 kg	80 - 320 mm	365 mm	9,0 kg
STK-050-B	5.000 kg	90 - 320 mm	365 mm	11,0 kg

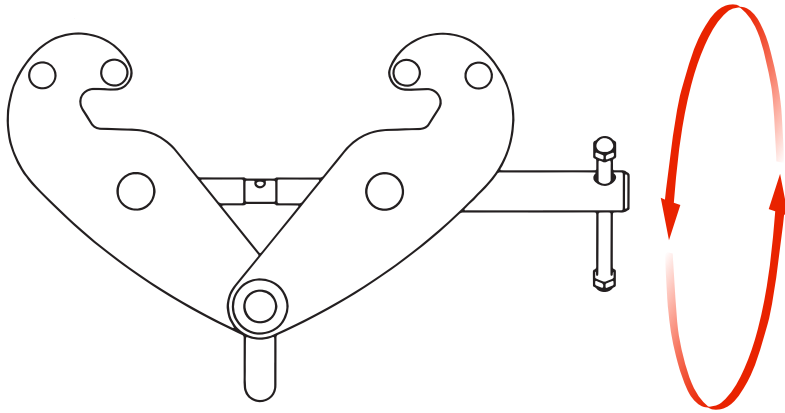
Safety Factor 4



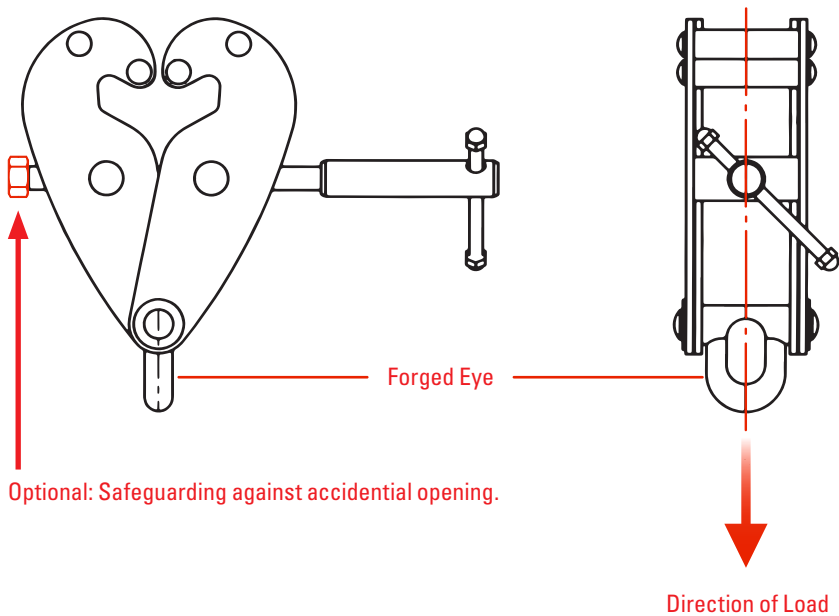
Operation

The Beam Clamp is opened and closed by turning the threaded spindle. When securing the clamp to a beam the clamp must only be tightened by hand.

The clamping jaws of the beam clamp must fully embrace the edges of the beam flange, in order to put the load points onto the surface of the beam flange.



Loads are attached to the forged eye and must be central to the clamp.



Maintenance

- Maintenance must only be carried out by approved personnel.
- Approved personnel must make regular checks to the product.
- If you see any damage including cracks, deformation or missing parts, the product must be removed from service and returned to Safetex Hebe- und Transporttechnik GmbH for evaluation/repair.
- Approved personnel must carry out a visual and a function test before every usage.
- Approved personnel must carry out more detailed inspection and testing of the product on a regular basis depending on the usage of the product.
- Written records should be kept from the date the product was put into operation.



Warning

- The installer/operator must read and understand the Instruction Manual before using the equipment.
- Operators shall be adequately instructed and fully understand the safe use of the equipment before use.
- Failure to carry out maintenance as necessary could render this equipment unsafe and the manufacturer cannot accept any responsibility in this respect.
- Do not use this equipment for a purpose that it is not intended. This could lead to a failure of the equipment and a risk of falling objects.
- Do not use to lift personnel.
- Any alterations on the lifting device are not permitted.
- Welding operations on the lifting gear are prohibited.
- Do not use with swinging loads.
- Do not use in chemical environments.
- The device can be operated under environmental temperatures between -10°C and +50°C.



Safetex Hebe- und Transporttechnik GmbH

HAFENBAHNSTRASSE 10A, 70329 STUTTGART, GERMANY

Telephone: +49 (0)711 / 32 20 39, Fax: +49 (0)711 / 32 92 97

www.safetex.de / info@safetex.de

EC DECLARATION OF CONFORMITY

SAFETEX hereby certify that the equipment stated below has been designed to comply with all relevant sections of the specifications referenced below and complies with all the applicable Essential Requirements of the EC Directives and amendments and the National Laws and Regulations adopting these Directives.

Description: Beam Clamp

Model/s: **STK-010-B**

STK-020-B

STK-030-B

STK-050-B

are in conformity with the provision of the following EC Directives:

2006/42/EC – Machinery Directive

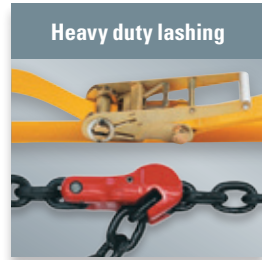
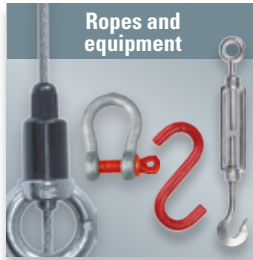
Name: Ronald Ortlieb

Position: Quality Management

Being the responsible person appointed by the manufacturer.



Contact Details



S A F E T E X[®]
The specialist for safe lifting and securing

Headquarters

SAFETEX[®]

Hebe- und Transporttechnik GmbH
Hafenbahnstraße 10A
D - 70329 Stuttgart

Phone +49 (0)7 11/32 20 39

Fax +49 (0)7 11/32 92 97

www.safetex.de · info@safetex.de

Branch

SAFETEX[®]

Hebe- und Verzurtechnik GmbH
Alte Mittelhäuser Straße 5
D - 99091 Erfurt

Phone +49 (0)3 61 / 5 54 66-60

Fax +49 (0)3 61 / 5 54 66-70

www.safetex.de · erfurt@safetex.de

Note: Whilst every effort has been made to ensure that the information contained within this manual is correct, Safetex does not accept any liability for errors or omissions. Specifications and technical data are intended for guidance purposes only and may vary.